

PRODUCT CODE: ET3G
MALLEABLE CONDUIT BOX

DESCRIPTION

20mm Malleable Angle Extension Conduit Box

FINISH

Hot Dipped Galvanised

MATERIAL

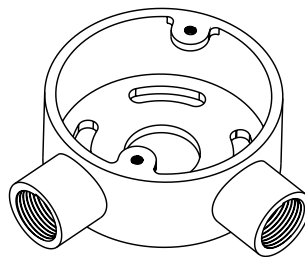
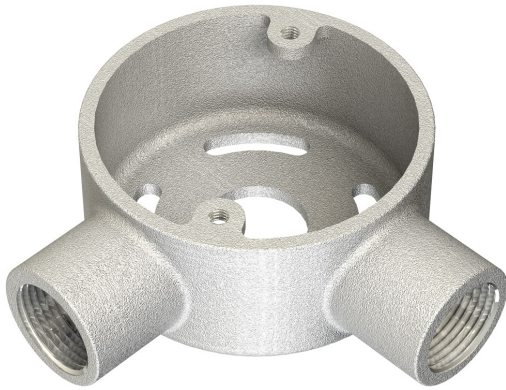
Malleable Iron

PACKAGING

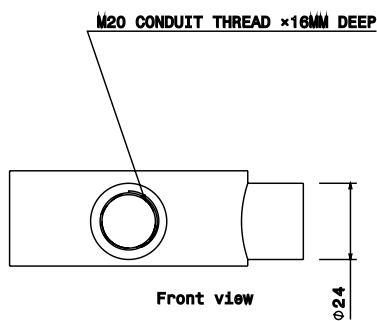
Packed in qty 10

ADDITIONAL NOTES

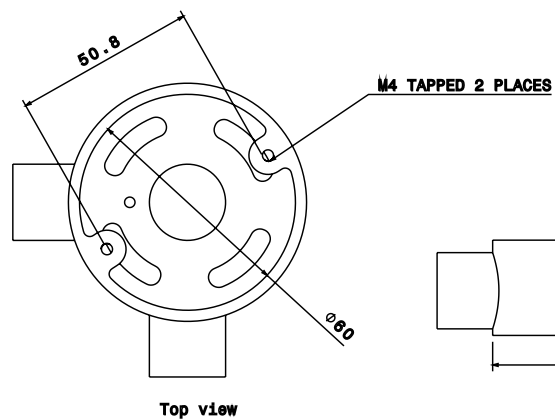
Conforms to BS EN61386-1:2008
Compliant to LU Standard 1-085 (for use on surface & sub-surface locations)



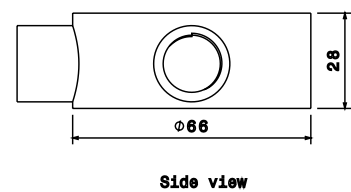
Isometric view



Front view



Top view



Side view